

Notes:
This drawing is copyright and must not be copied in part or in whole unless agreed with Avie Consulting Ltd.

All dimensions are in millimetres unless noted otherwise.

DO NOT SCALE THIS DRAWING - IF IN DOUBT ASK

- All dimensions & levels to be checked by the contractor prior to commencement of work, any discrepancy shall be reported immediately to Avie Consulting Ltd.
- All work shall be carried out in accordance with Local Authority, statutory authority, health & safety requirements and regulations.
- The drawings shall be read in accordance with all other contract documents relevant at that time of issue and during the period of the contract.
- The contractor must ensure the overall stability of the works is adequate at all stages of the construction.
- No allowance has been made for cutouts, holes, notches, etc. for services. All of these are to be agreed prior to the start of the works.

General Notes

All adoptable sewer works and material to be in accordance with 'Sewers for Adoption' 6th Edition, the relevant British/European and Yorkshire Water's standards/requirements/addendum and Kitemarked.

Manhole covers shall have a clear opening of 600mm and shall be Class D400 to BS EN 124 with 150mm deep frames in highways.

Where a B125 cover and frame has been approved, this must not be coated in plastic and must have lifting eyes suitably sized to accommodate standard lifting keys. Screw down covers are not acceptable.

Filled ground must be filled and consolidated under the supervision and to the satisfaction of Yorkshire Water before any sewer works are carried out.

Yorkshire Water is not obliged to accept filter drain/land drainage run-off into the public sewer network or adoptable drainage system (directly or indirectly). An alternative method of disposal of the land drainage run-off will therefore be required and you will have to liaise with the local authority, land drainage section with regard to the disposal of the filter drain/land drainage run-off.

Cover slabs must carry the BSI Kitemark or will be rejected by Yorkshire Water's inspector. Where the clear opening of the Kitemarked product is different to that of the cover and frame, a loading bearing slab should be fitted above the cover slab to bring the size down to 600mm x 600mm for the Yorkshire Water specified cover size. Please refer to Concrete Pipe Systems Association (CPSA), 'Technical Bulletin' issued Autumn 2004 for Kitemarked cover slab opening sizes.

Sulphate resistant cement (C20-DC2) and precast concrete products must be used or a laboratory report provided proving that such precautions are not necessary.

The adoptable sewers should be a minimum of 1m and manholes 0.5m from kerb faces and service margins.

Sewers must have 5 metres clearance from trees and hedges (please also refer to figure 2.3 on page 33 in 'Sewers for Adoption' 6th Edition for restrictions on tree planting adjacent to sewers).

Sewers to be laid in Class 'S' bedding (150mm granular bed and surround). Where depth of cover to top of the sewer is less than 1.2m in highways and verges (or less than 900mm in non-vehicular access areas) then a concrete slab should be provided above granular bed and surround.

Bedding and backfill material to conform to the requirement of Water Industry Specification 4-08-02 (Table A2).

The chamber size of manholes with more than one connection in them may need to be increased an increment to accommodate the connections and bends.

Yorkshire Water policy is not to accept Type 'C' brick manholes and 1050mm dia. manhole rings. Instead it is preferred that you use a Type 'B' manhole with 1200mm dia. or 1500mm dia rings, with the opening stilt over the channel where depth of cover to pipe soffit is 1 - 1.5m.

Adoptable plastic sewer pipes to be BSI Kitemarked (certified to WIS 4-35-01 and BS EN 13476). Adoptable plastic sewer to be laid in maximum 3 meter lengths unless there is a specific operational need to lay longer lengths. Plastic channel sections in manholes are not acceptable and Yorkshire Water would prefer clayware channel sections in manholes. We have found that plastic channels are difficult to set in concrete because they float and a satisfactory finish can not be obtained on the benching.

HEALTH, SAFETY AND ENVIRONMENTAL INFORMATION

In addition to the hazards/risks associated with the types of work detailed on this drawing please consider the following:

- Construction:
- Existing live storm and foul sewers present on site.
 - Existing buried and overhead services are present on site.
 - Sewers > 3m in depth - risks falling from height and confined spaces.
 - Working near watercourses - waterborne diseases and pathogens are a potential hazard to health.

It is assumed that all works will be carried out by a competent contractor working, where appropriate, to an approved method statement.

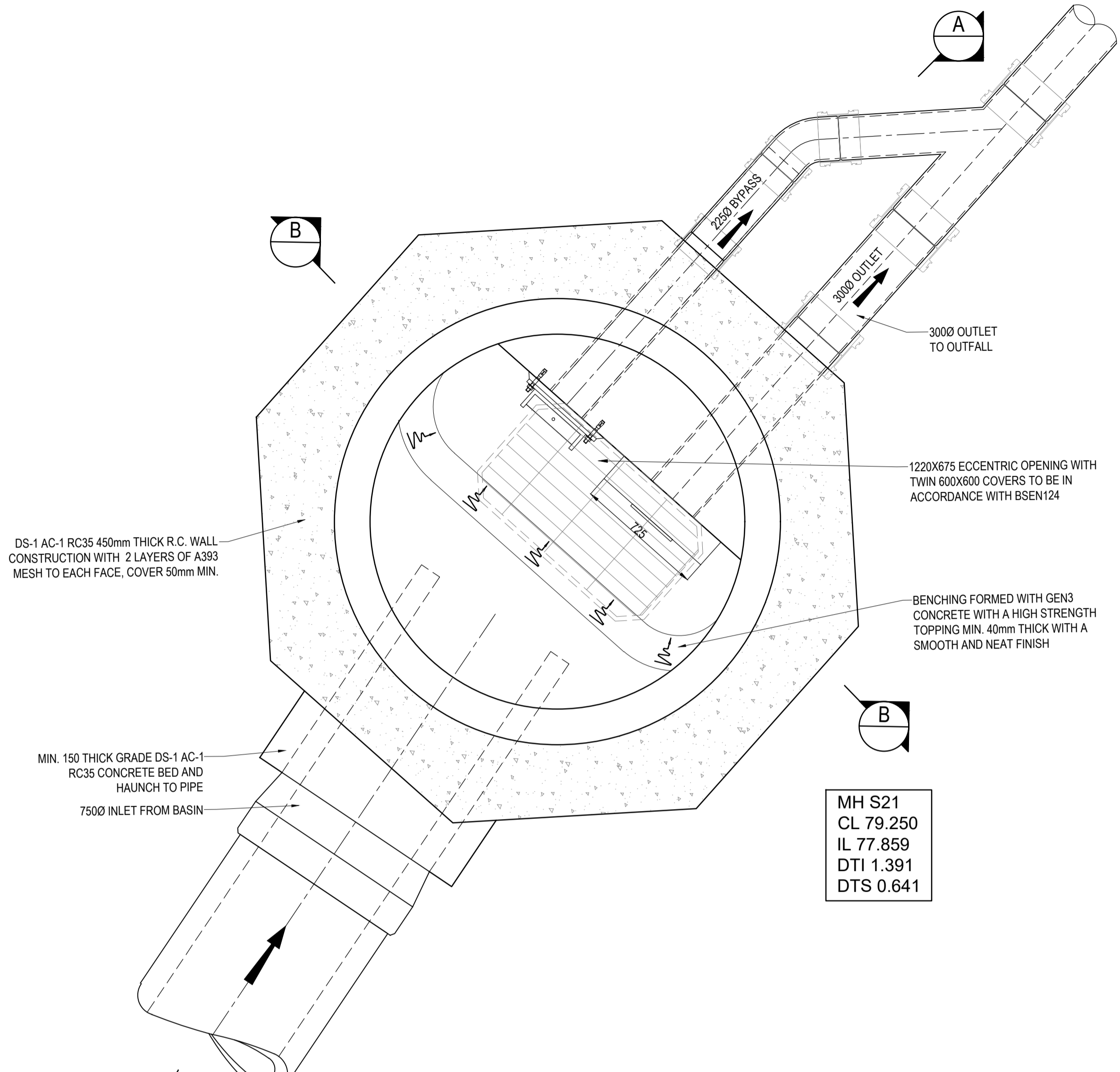
Rev	Initial issue	By	Clk	Date
1	IL amended to reflect drainage design.	JJB	STP	25.02.2020
2		JJB	JJB	23.01.2020

AVANT homes

6 Killingbeck Court,
Killingbeck Office Village,
Killingbeck Drive,
Leeds LS14 6FD.
Tel: 0113 249 7416
www.avie-consulting.co.uk

AVIE CONSULTING LTD

Client:	Avant Homes			
Project:	Mosborough			
Title:	MH S21 Sectional MH Details			
Drawn:	STP	Checked:	JJB	Date:
Date:	Jan 2020	Scale:	1:20	Original dwg size:
Original dwg size:	A1	Rev:	A	
Drawing Number:	P2741-09-07			Rev:
Rev:	A			



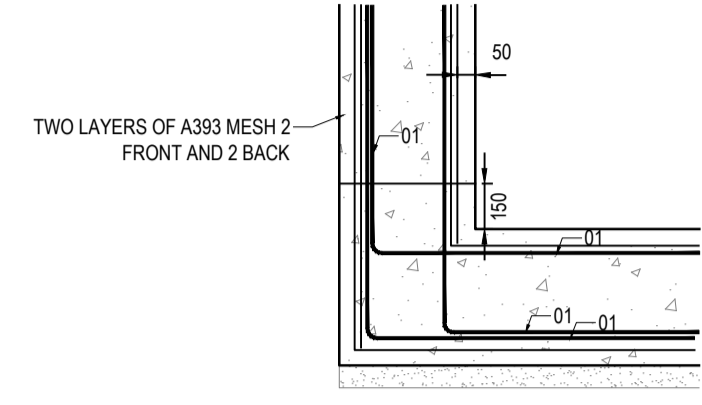
ALL CUSTOM BUILT IRONWORK TO BE HOT-DIPPED GALVANISED PRIOR TO FINAL FIXING

BENCHING ARRANGEMENTS TO BE FINALISED ON SITE WITH YW HIGHWAYS INSPECTOR

SEE ADJACENT DETAIL FOR TYPICAL RE-INFORCEMENT TO STORAGE PIPE

COVER TYPE TO BE D400

ALL LIFTING EYES SHOULD BE POINTED

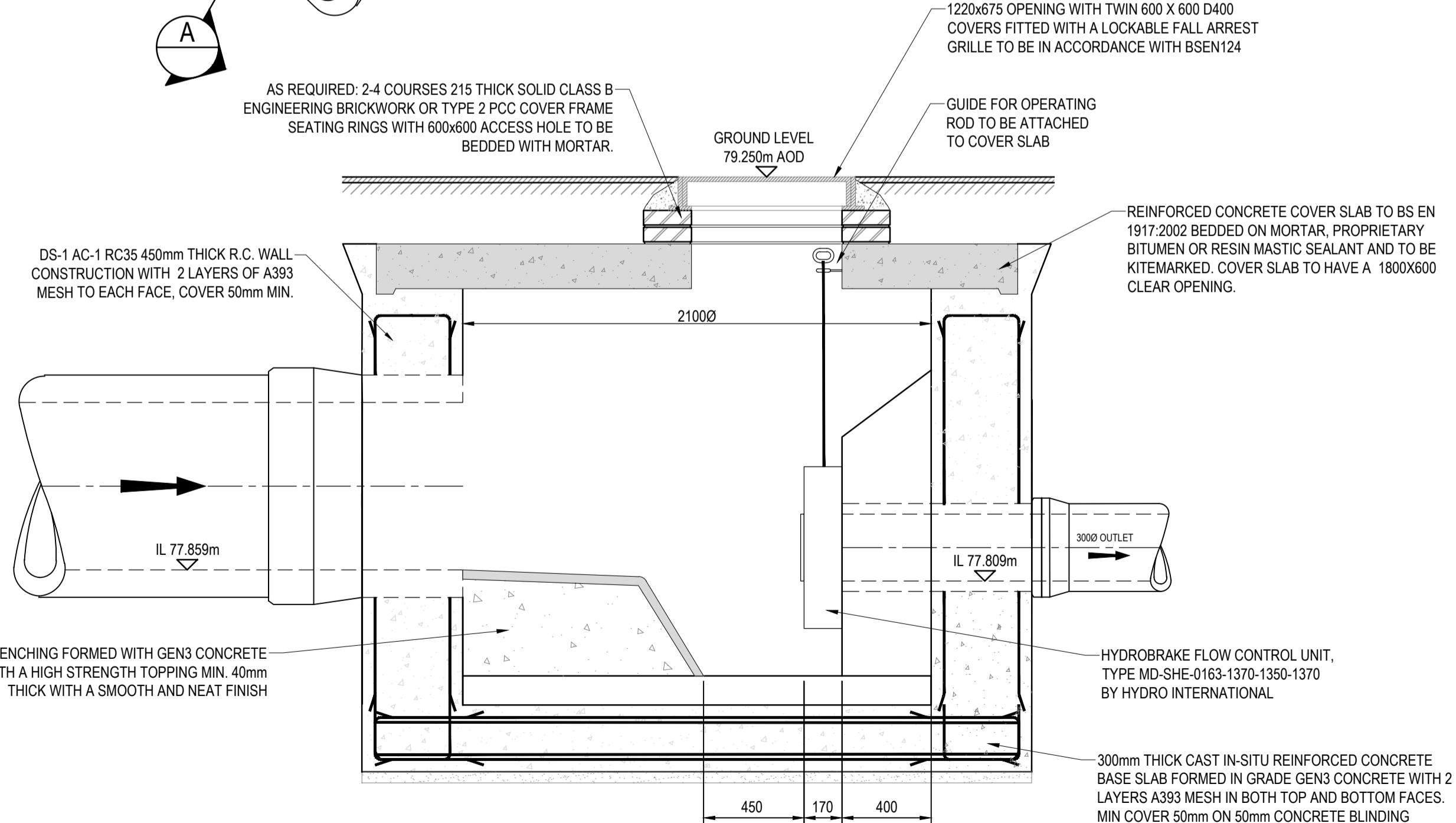


TYPICAL REINFORCEMENT DETAIL
SCALE 1:25

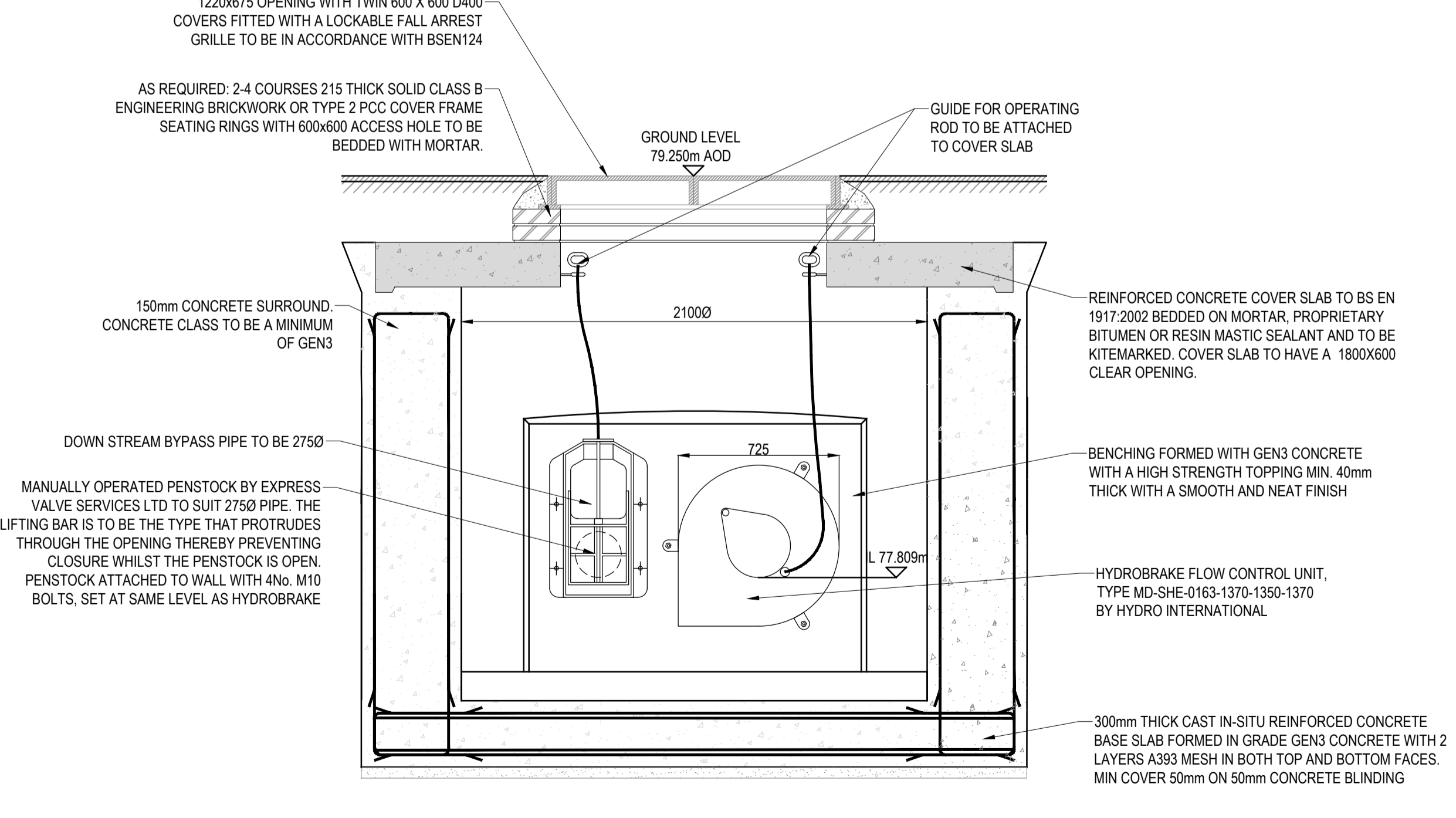
NOTE:
Cover slabs must carry the BSI Kitemark or will be rejected by Yorkshire Water inspector. Where the clear opening of the kitemarked product is different to that of the cover and frame, a load bearing slab should be fitted above the cover slab to bring the size down to 600mm x 600mm for the Yorkshire Water specified cover size. Please refer to Concrete Pipe Systems Association (CPSA), 'Technical Bulletin' issued Autumn 2004 for Kitemarked cover slab opening sizes. All adoptable sewer works and material in accordance with 'Sewers for Adoption' 6th Edition, The Relevant British/European & Yorkshire Water's Standards/ Requirements/Addendum & Kitemarked. Concrete base formation by Contractor. Timber frame to be prefabricated and installed prior to placement of cover slab. Concrete will be placed and compacted in-situ within the prefabricated frame and finished with high strength topping. Formwork to be removed.

HYDROBRAKE SPECIFICATION TO BE MD-SHE-0163-1370-1350-1370 TO SUIT DISCHARGE RATE OF 13.7l/s UNDER A HEAD OF 1.35m (1 IN 100 STORM +40% CC)

NOTE: 300Ø OUTLET PIPE TO BE SET 50mm LOWER THAN INLET PIPE TO PREVENT STANDING WATER ON BENCHING



SECTION A-A THROUGH MH S21
SCALE 1:20



SECTION B-B THROUGH MH S21
SCALE 1:20